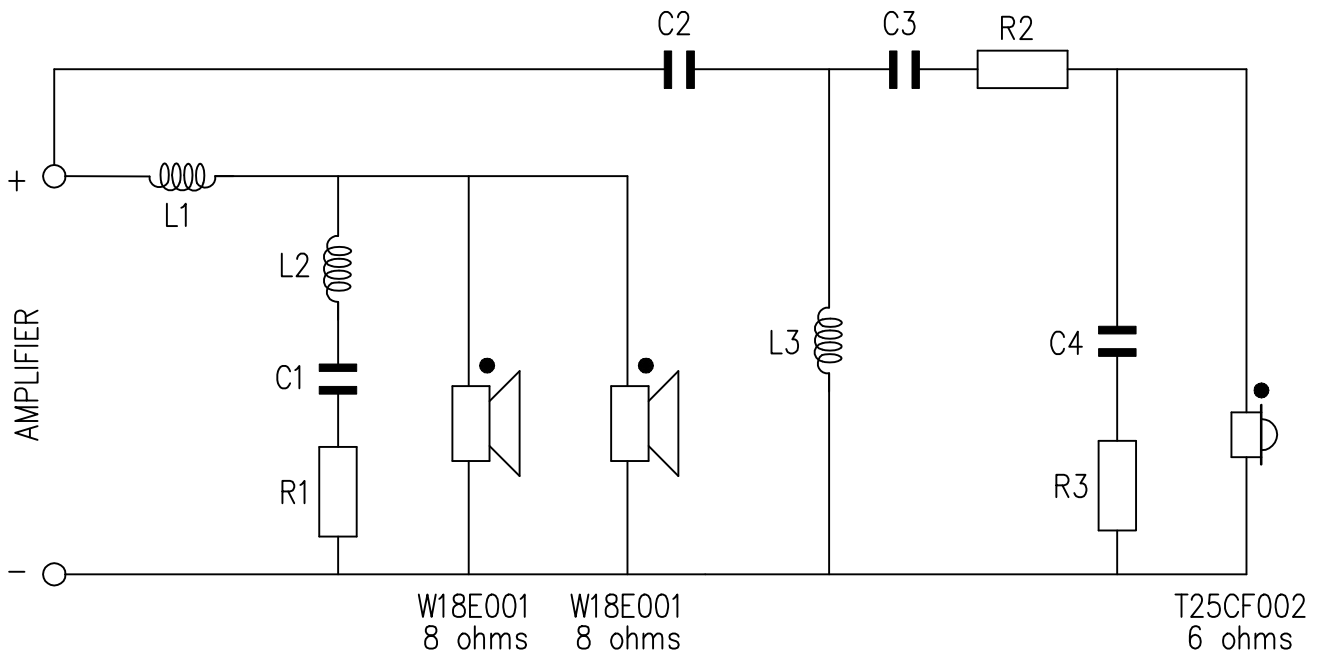


# CROSSOVER NETWORK for THOR and ODIN Mk3



COIL	CAPACITOR	RESISTOR
L1 = 1,00mH 0,27ohm TRITEC 1.98mm <sup>2</sup>	C1 = 8,2μF MKP 400V	R1 = 0,47R MOX 10W
	C2 = 8,2μF MKP 400V	R2 = 2,2R MOX 10W
L2 = 0,15mH 0,15ohm ø1.00mm	C3 = 18,2μF MKP 400V	R3 = 12,0R MOX 10W
L3 = 0,22mH 0,23ohm ø1,00mm	C4 = 2,2μF MKP 400V	